

MANIPULATOR

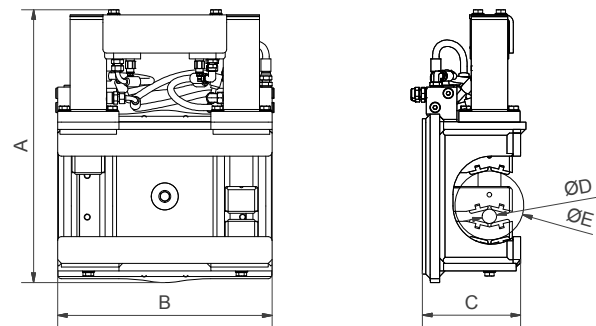
MP38-240

DMS
DMS Technologie GmbH

TECHNICAL DATA

Weight	[kg]	290
Tragkraft	[kg]	500
Operating pressure max.	[bar]	160
Klemmkraft max.	[kN]	100
Dimension D (min. Ø)	[mm]	Ø 38
Dimension E (max. Ø)	[mm]	Ø 240

TECHNICAL ILLUSTRATION



Dimension A	[mm]	812	Dimension C	[mm]	283
Dimension B	[mm]	560			

AVAILABLE ACCESSORIES

- / Bolt-on adapter for quick coupling system Lehnhoff MS/HS
- / Adapter for other quick coupling systems upon request

SCOPE OF DELIVERY

- / Manipulator
- / Washer plates and screws

You can find more information and a 3D preview at www.dms-tec.de

