

# DMS TILT

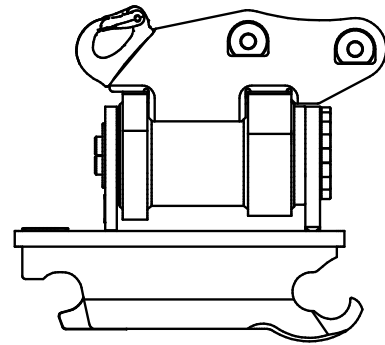
## DMS-03 PTS030

**DMS**  
DMS Technologie GmbH

### TECHNICAL DATA

Weight (incl. bolts)	[kg]	> 85
Swivel angle	[°]	180
recomm. closing pressure	[bar]	35-50
Opening pressure	[bar]	min. 35 max. 240
Tilting pressure	[bar]	210
Torque at 207 bar	[Nm]	1630
Holding torque at 225 bar	[Nm]	6430
max. hook load	[kg]	1000
comp. to Symlock		SY-03

### TECHNICAL DRAWING



For more information and a 3D preview, visit [www.dms-tec.de/en](http://www.dms-tec.de/en)

