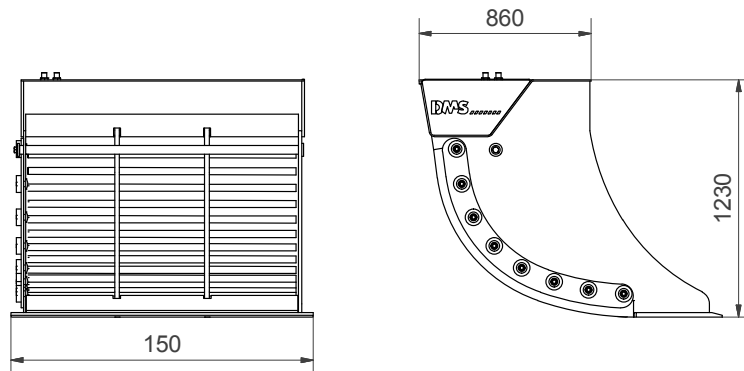




DMS Technologie GmbH

Operating pressure [bar]:	160
Hydraulic flow rate [l/min]:	40
Sieve volume [l]:	1200
Height [cm]:	120
Width [cm]:	150
Weight [kg]:	1440
Sieve standard [mm]:	30
Bottom cutting edge [mm]:	30*500
Sieve ribs [Ø mm]:	30



// Available accessories

- Screw adaptors for quick-hitch Lehnhoff MS/HS
- Screw adaptors for other quick-hitches upon request
- Ribs with reduced diameter to adjust the screen size
- Screen mesh for finer sifting

// Delivery contents

- Sieve bucket with standard rib sets
- Safety valve with automatic flow control

15-25t

SL250150

www.dms-tec.de

